

HFP

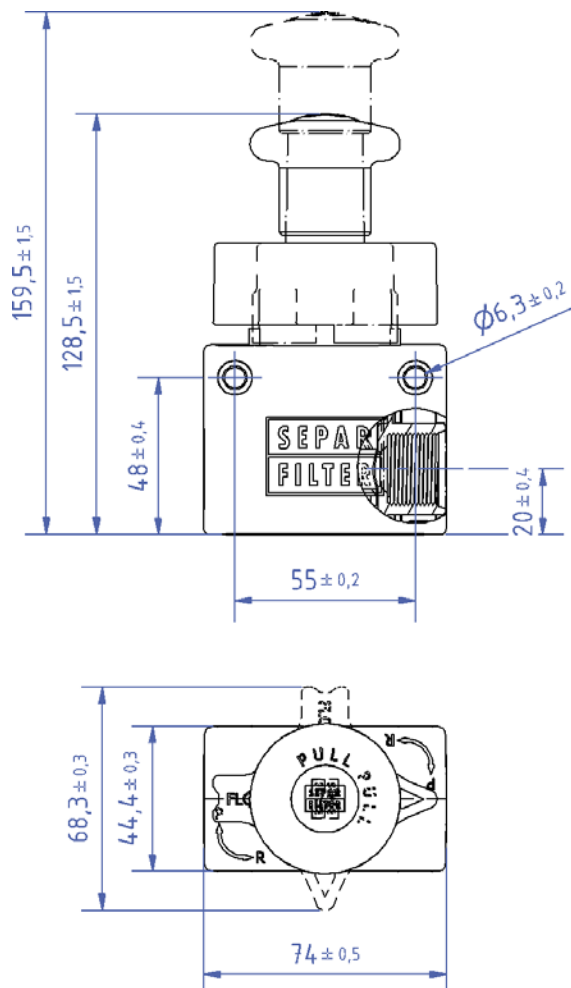
Manual Priming Pump



Technical Datasheet

The Manual Priming Pump is used in a fuel circuit to bleed the upstream fuel filter or to completely bleed the fuel circuit. It is installed downstream of the fuel filter.

Mechanical data



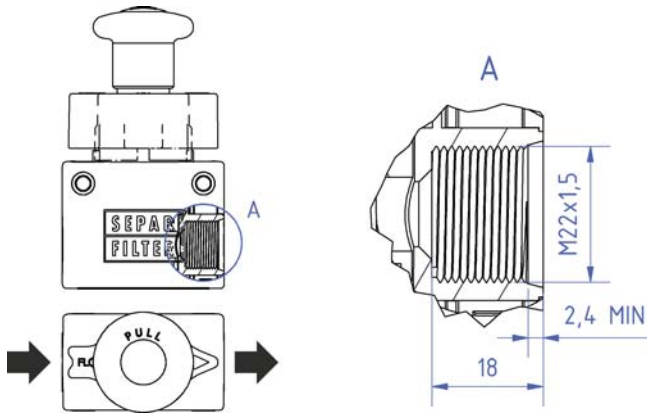
Mass	approx. 250 g
Ambient temperature range	
Flow-through operation	-40 °C to 85 °C
Pump operation	-20 °C to 85 °C
Fixing points	2
Threaded bolts	M6
Tightening torque	6 Nm \pm 1 Nm
Media connectors	2
Threaded holes	M22x1.5, compatible with screw-in spigots according to ISO 6149-3, Form F
Thread length can be screwed in	\leq 18 mm
Tightening torque	12 Nm \pm 2 Nm
Nominal width	11 mm
Permissible system pressure	
permanent	\leq 3 bar
momentary (<15 s)	\leq 5 bar
Pump actuation	Ram
Stroke	approx. 30 mm
Suction height	\leq 5 m
Delivery volume	\leq 20 ml per stroke
Breakaway force	\leq 200 N
Pumping force	\leq 100 N
Destroying force	$>$ 500 N

Performance data

Performance data items are limit values. By the integration into an existing infrastructure, the indicated performance data can be limited under certain circumstances.

Media (Please ask for media not listed.)	
Diesel/Biodiesel	according to EN 590
Fuel oil	according to DIN V 51603-6
Volume flow	
Flow-through operation	\leq 10 l/min
Pressure loss	insignificant

Mechanical connections

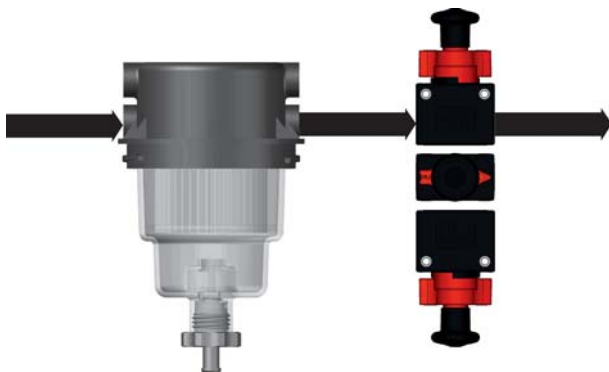


Mounting

The function of the Manual Priming Pump is independent of its mounting position. It must be fixed to a non-movable surface with two M6 threaded screws.

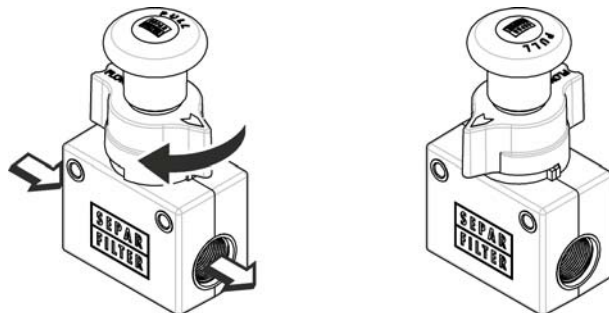
The following must be observed during installation:

1. The operating elements must be freely accessible.
2. Only straight pipe sections or pipe bends may be used as fuel pipes.
3. Mount in correct flow direction (arrow).
4. It must be possible to operate the shut-off valve and pump without risk of injury.

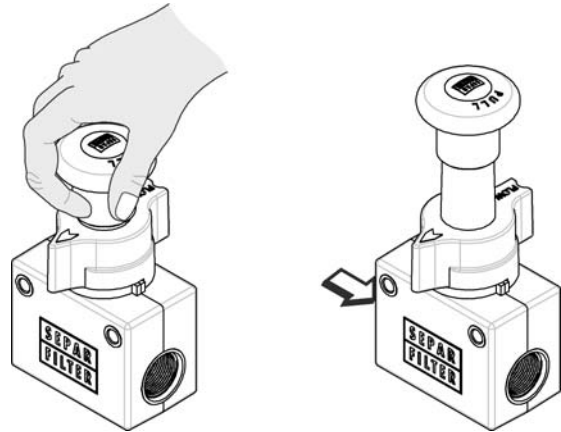


Application

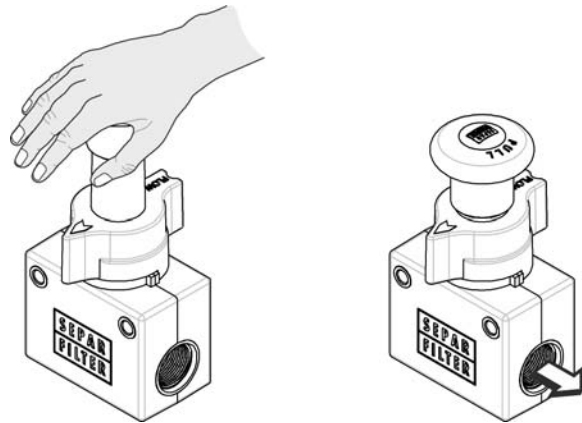
1. Stop fuel flow, then close shut-off valve



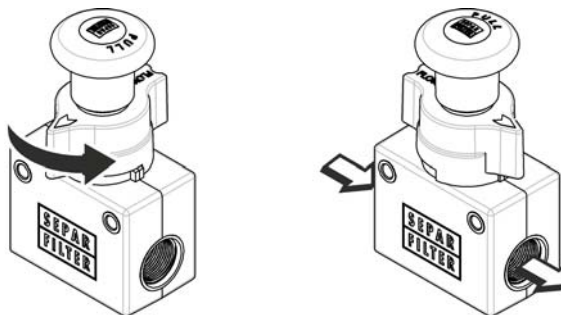
2. Suction



3. Pump



4. Open shut-off valve, then start fuel flow



Distributed By:
 Separ of the Americas, LLC
 Ph: (954) 523-9396
 www.separfilter.com
 contact@separfilter.com