

Commercial Automatic Fuel Polishing 210 GPH

Automatic Fuel Polishing (AFP) removes water, bacterial growth and other particulate from diesel that are detrimental to fuel systems and thereby resolving many issues related to degraded fuel.

Basic Features

- Primary filtration - Separ Filter with vacuum gauge
- Secondary filtration - 2 micron
- Available in 120V and 220V
- Aluminum cover and base with spill containment
- Mountable base
- Water level alarm and shutoff
- Vacuum alarm and shutoff
- Spill alarm and shutoff

Optional Features

- Enclosure
- Enclosure with stand



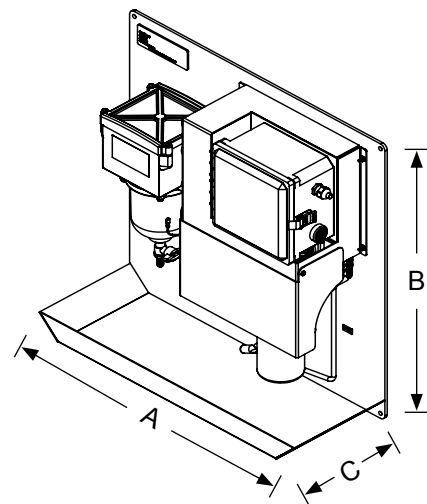
Enclosure



Enclosure with Stand

Technical Specifications

Flow Rate	210 GPH / 795 LPH	
Inlet / Outlet	3/4" Male JIC	
Voltage	120V or 220V	
Amp. Draw	3A, 110V	
Circuit Breaker	10A, 110V	
Lift	13 ft / 4 m	
Pump Type	Gear Pump	
Primary Filtration	Standard 30 micron	
Secondary Filtration	2 micron	
Wall Mount Dimensions	A	28.4" / 721 mm
	B	28.2" / 716 mm
	C	10.9" / 276 mm
Enclosure Dimensions	A	34.5" / 876 mm
	B	30" / 762 mm
	C	12" / 305 mm
Enclosure with Stand Dimensions	A	34.5" / 876 mm
	B	59.75" / 1518 mm
	C	12" / 305 mm



Replacement Elements

01810	10 micron
01830	30 micron
01860S	60 micron, stainless steel