

Commercial Automatic Fuel Polishing 150 GPH

Automatic Fuel Polishing (AFP) removes water, bacterial growth and other particulate from diesel that are detrimental to fuel systems and thereby resolving many issues related to degraded fuel.

Basic Features

- Primary filtration - Separ Filter with vacuum gauge
- Secondary filtration - 2 micron
- Available in 12V, 24V, 120V or 220V
- Aluminum cover and base with spill containment
- Mountable base
- Water level alarm and shutoff
- Vacuum alarm and shutoff
- Spill alarm and shutoff

Optional Features

- Enclosure
- Enclosure with stand

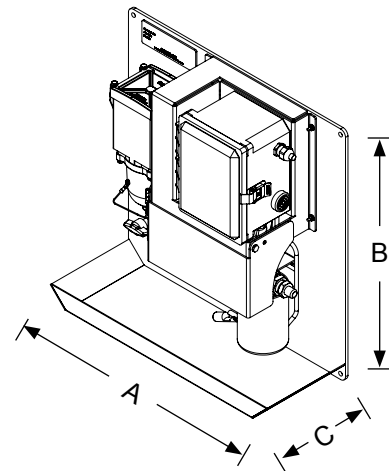


Enclosure

Enclosure with Stand

Technical Specifications

Flow Rate	150 GPH / 568 LPH	
Inlet / Outlet	1/2" Male JIC	
Voltage	12V, 24V, 120V or 220V	
Lift	10 ft / 3 m	
Pump Type	Gear Pump	
Primary Filtration	Standard 30 micron	
Secondary Filtration	2 micron	
Wall Mount Dimensions	A	22.25" / 565 mm
	B	22.25" / 565 mm
	C	8.25" / 210 mm
Enclosure Dimensions	A	28.5" / 724 mm
	B	24" / 610 mm
	C	10" / 254 mm
Enclosure with Stand Dimensions	A	28.5" / 724 mm
	B	59.75" / 1518 mm
	C	10" / 254 mm



Replacement Elements

01010	10 micron
01030	30 micron
01060S	60 micron, stainless steel