

Commercial Automatic Fuel Polishing 80 GPH

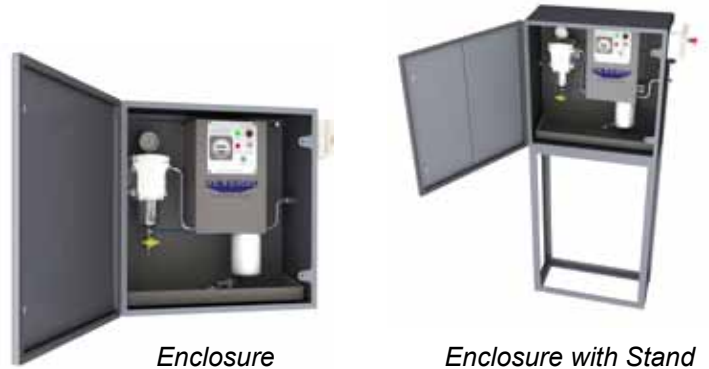
Automatic Fuel Polishing (AFP) removes water, bacterial growth and other particulate from diesel that are detrimental to fuel systems and thereby resolving many issues related to degraded fuel.

Basic Features

- Primary filtration - Separ Filter with vacuum gauge
- Secondary filtration - 2 micron
- Available in 12V and 24V
- Aluminum cover and base with spill containment
- Mountable base
- Water level alarm and shutoff
- Vacuum alarm and shutoff
- Spill alarm and shutoff

Optional Features

- Enclosure
- Enclosure with stand

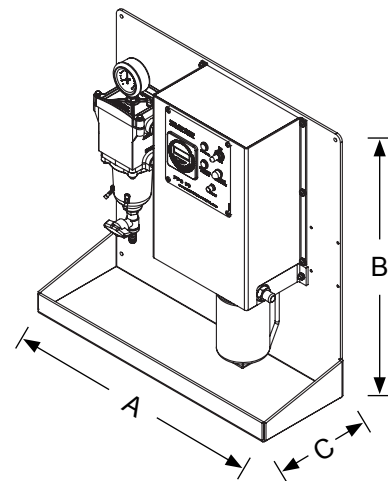


Enclosure

Enclosure with Stand

Technical Specifications

Flow Rate	80 GPH / 303 LPH	
Inlet / Outlet	1/2" Male JIC	
Voltage	12V or 24V	
Amp. Draw	2.7A, 12V 1.4A, 24V	
Circuit Breaker	10A, 12V 5A, 24V	
Lift	4 ft / 1.2 m	
Pump Type	Gear Pump	
Primary Filtration	Standard 30 micron	
Secondary Filtration	2 micron	
Wall Mount Dimensions	A	22.2" / 564 mm
	B	22.2" / 564 mm
	C	7.9" / 200 mm
Enclosure Dimensions	A	28.5" / 724 mm
	B	24" / 610 mm
	C	10" / 254 mm
Enclosure with Stand Dimensions	A	28.5" / 724 mm
	B	59.75" / 1518 mm
	C	10" / 254 mm



Replacement Elements

00510/50	10 micron
00530/50	30 micron
00560/50S	60 micron, stainless steel