

- Provides higher flow rate than the GP-301 AC
- Self-priming
- Moves light viscous fluids up to 5 feet
- Motor is reversible and self-ventilated
- CE Certified
- Customizable to suit a variety of applications
- Available in 110v (60 Hz) and 220v (50/60 Hz) with Soft Start inverter

Options

Switch, Base, and Breaker Assembly (For 110v version only)

(S): On - Off
Reversing (R): On - Off - On

Available with Bypass.

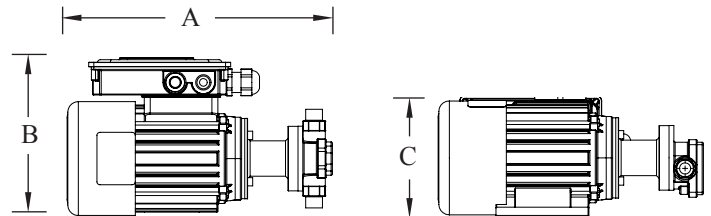
Contact Reverso Pumps for details.

Technical Specification

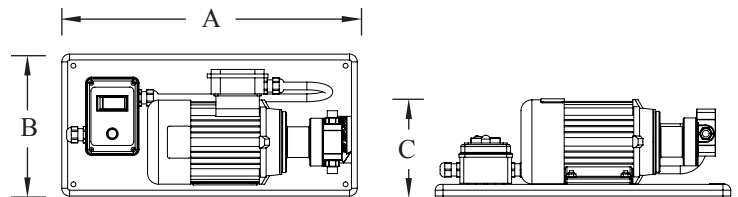
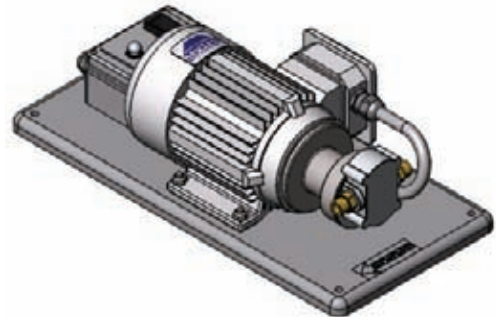
Ports	1/2" Male NPT
Volt	110v@60 Hz, 220v@50 Hz
Watt	550@110v AC 60Hz
Flow Rate	8.5 GPM (32.18 LPM)
Self priming	5 ft (1.5 m) (wet gears)
Lift	50 ft (15.2 m) (water)
Pump body	Brass
Gears	Bronze
Shaft	Stainless steel
Seal	Fluoroelastomer lip seal
Motor	AC Self Ventilated
Insulation	IP54
Breaker	10A@110v, 5A@220v (3 phase)

Model	A	B	C	Weight
GP-602 AC	12.51" (317.8mm)	7.43" (188.8mm)	5.5" (139.7mm)	14 lbs (6.4 kg)
GP-602S/R	19" (482.6mm)	9.125" (231.8mm)	6.25" (158.8mm)	16 lbs (7.26 kg)

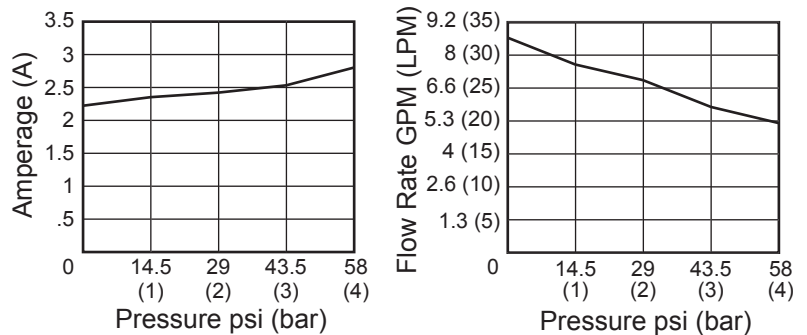
Part Number	Description
GP-602-10	110 volt, 60 Hz
GP-602-20	220 volt, 50/60 Hz
GP-602S-10	110 volt, On - Off switch
GP-602S-20	220 volt, On - Off switch
GP-602R-10	110 volt, Reversing switch
GP-602R-20	220 volt, Reversing switch



Shown: GP-602-10



Shown: GP-602S-10



Drawing dimensions for reference only
Technical drawings available upon request.