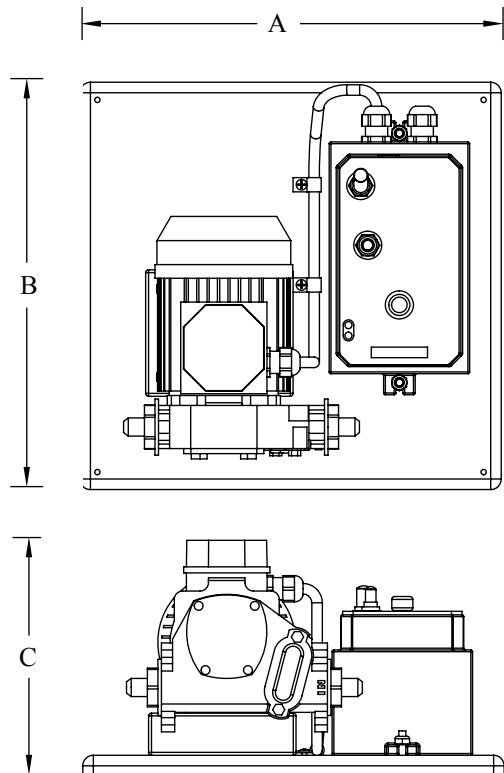


# VP-620 Metering Pump

with AC Rotary Vane Pump  
Flow Range: 0.5 -18 GPM (1.9 - 68 LPM)

- Powerful system in a compact unit
- Available in 110V, 220V (Single or 3 Phase), or 400V (3-Phase)
- Power Start: Provides more than 200% starting torque which ensures startup of high frictional loads
- Electronic Inrush Current Limit: Eliminates harmful inrush AC line current during repetitive pump startup
- Regeneration Protection: Eliminates tripping due to rapid deceleration of high inertial loads
- Ride Through: Provides a smooth recovery to the previous set speed during a momentary power loss
- Diagnostic LEDs: Power on (POWER) and control status (STATUS)
- Protection Features:
  - Under voltage and over voltage protection
  - MOV input transient protection
  - Micro controller self-monitoring and auto-reboot
  - Short circuit protected phase-to-phase at motor
- Built in 100 micron filter
- Customizable to suit a variety of applications
- For diesel fuel only



Drawing dimensions for reference only  
Technical drawings available upon request. Shown: VP-621-10V6

### Technical Specification

Ports	1" BSP
Volt	110V or 220V
Watt	370W, 110V@60 Hz 450W, 220V@60 Hz
Self-priming	6.7 ft (2 m) (wet gears)
Max. Suction Lift	11.5 ft (3.5 m) above liquid level
Pump Body	Cast-Iron
Type	Rotary Vane
Seal	Mechanical
Motor	Induction, IP55 rated

	A	B	C	Weight
VP-620 Metering Single Phase	15" (381 mm)	14.5" (368 mm)	9.4" (239 mm)	N/A

Product Number	Description
VP-621-10V6	110 Volt, 60 Hz w/ variable speed control
VP-621-20V6	220 Volt, 60 Hz w/ variable speed control
VP-623-20V6	220 Volt, 60 Hz, 3 Phase w/ variable speed control
VP-623-40V6	400 Volt, 60 Hz, 3 Phase w/ variable speed control