

- Self-priming
- Moves light viscous fluids up to 11.5 feet
- Built in 100 micron filter
- Built in bypass
- Self-ventilated
- IP55 rated (Dust protection, Spray proof)
- Available in 110V, 220V (Single or 3 Phase), or 400V (3-Phase)
- Customizable to suit a variety of applications
- For diesel fuel only

#### Options

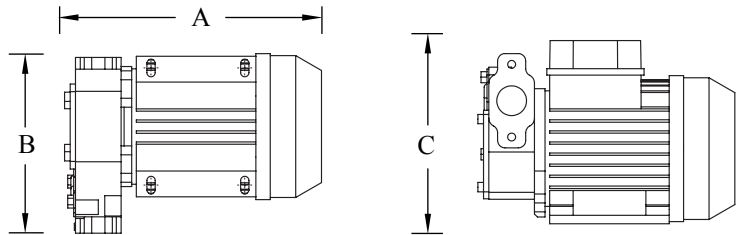
**Switch, Base, and Breaker Assembly (For 110V and 220V only)**  
 (S): On - Off

#### Technical Specification

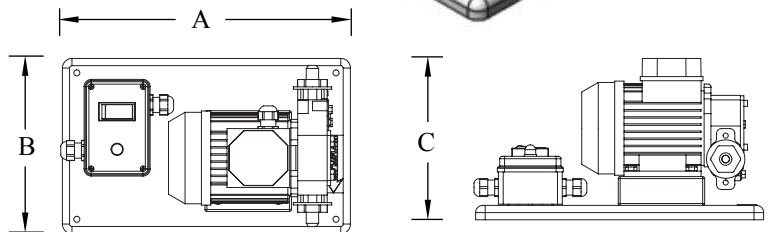
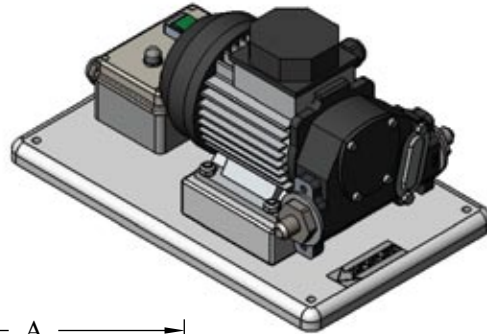
Ports	1" NPT
Volt	110V or 220V
Watt	370W, 110V@60 Hz 450W, 220V@60 Hz
Max. Flow Rate	18 GPM (68 LPM) @ 110V 15 GPM (56 LPM) @ 220V
Self-priming	6.7 ft (2 m) (wet gears)
Max. Suction Lift	11.5 ft (3.5 m) w/ foot valve above liquid level
Discharge Pressure	36 psi (2.5 bar) inter relief valve
Pump Body	Cast-Iron
Type	Rotary Vane
Seal	Mechanical
Motor	Induction, IP55 rated
Amp.	3.4A@110V, 2.04A@220V

	A	B	C	Weight
VP-620	8.63" (219 mm)	5.91" (150 mm)	6.82" (173 mm)	16.3 lbs (7.4 kg)
VP-620S	15" (381 mm)	9.1" (232 mm)	9.3" (236 mm)	N/A

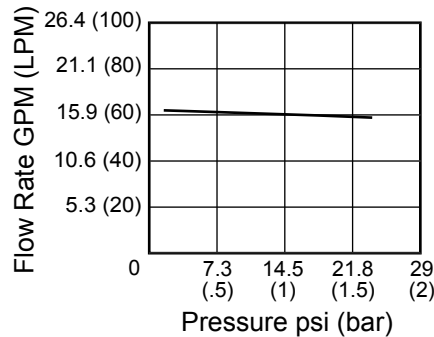
Product Number	Description
VP-621-10	110 Volt, 60 Hz
VP-621-20	220 Volt, 60 Hz
VP-621S-10	110 Volt, 60 Hz, On - Off switch
VP-621S-20	220 Volt, 60 Hz, On - Off switch
VP-623-20	220 Volt, 60 Hz, 3 Phase
VP-623-40	400 Volt, 60 Hz, 3 Phase



Shown: VP-623-40



Shown: VP-621S-10



Drawing dimensions for reference only  
 Technical drawings available upon request.