

Heavy Duty Oil Change System

Reverso has been the premier maker of oil change systems for over 20 years. This product is installed as standard equipment by a majority of boat builders.

- Reversible (Drains and fills engines)
- Self-priming
- Compact
- Simplifies oil changes
- Reduces chances of oil spills
- Available with valve options 3 - 7

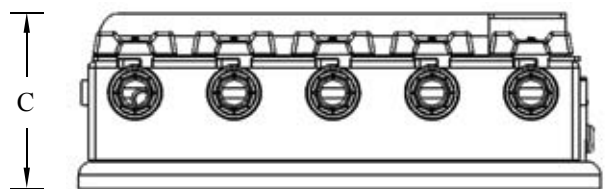
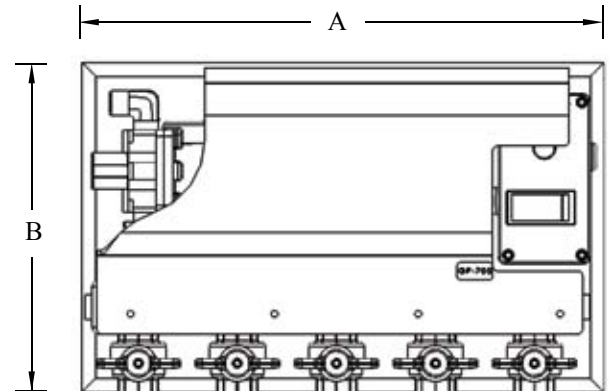
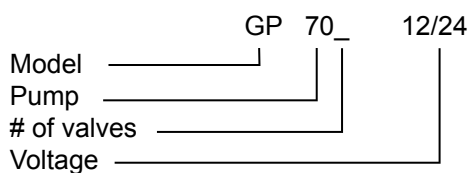
Technical Specification

Pump Port	1/2" Flare
Manifold Ports	1/2" FNPT
Flow Rate	3 GPM (11.35 LPM)
Self-priming	5 ft (1.5 m) (wet gears)
Lift	20 ft (6.1 m)
Pump body	Brass
Gears	Bronze
Shaft	Stainless Steel
Seal	Fluoroelastomer lip seal
Motor	12V or 24V DC
Breaker	20A@12V, 10A@24V

Pressure	12V Flow	12V Amp	24V Flow	24V Amp
0.2 psi	3.0 GPM	6.0A	3.5 GPM	3.4A
10 psi	3.3 GPM	7.2A	3.5 GPM	3.7A
15 psi	3.3 GPM	8.3A	3.5 GPM	4.1A
20 psi	3.1 GPM	9.2A	3.2 GPM	4.8A
25 psi	3.1 GPM	10.1A	3.2 GPM	5.2A
30 psi	2.9 GPM	11.5A	3.1 GPM	5.8A
35 psi	2.9 GPM	12.9A	3.1 GPM	6.5A
40 psi	2.7 GPM	14.2A	2.9 GPM	7.3A

Model	A	B	C	Weight
GP-703	14.5"(368.3mm)	9.1"(232mm)	4.7"(119.9mm)	23 lbs(9.1kg)
GP-704	14.5"(368.3mm)	9.1"(232mm)	4.9"(124.5mm)	23 lbs(9.1kg)
GP-705	14.5"(368.3mm)	9.1"(232mm)	4.9"(124.5mm)	23 lbs(9.1kg)
GP-706	16.5"(365.8mm)	9.1"(232mm)	4.7"(118.1mm)	24 lbs(10.86kg)
GP-707	20"(508mm)	9.1"(232mm)	4.7"(118.1mm)	24 lbs(10.86kg)

Ordering Specifications



Drawing dimensions for reference only. Technical drawings available upon request. Shown: GP-705-12