

- Unique service filter alarm
- Eliminates sludge and water build-up in the tank
- Reduces cost of filter maintenance
- 99.9% water separation (Certified TUV Report using SAE J1839)
- 99% particulate removal
- Compact Design
- Optional magnetic fuel conditioner
- Available with Mechanical or Digital Timer
- Marine version with U.S. Coast Guard-accepted metal heat deflector.

Technical Specification

Inlet & Outlet	1/2" #8 JIC Male
Volt	110 or 220v AC
Amp. Draw	3A@110V, 1.2A@220V
Circuit Breaker	10A@110V, 10A@220V
Watts	140
Flow Rate	210 GPH (795 LPH)
Self Priming	5 ft (1.5 m) (System Primed)
Max Lift	30 ft (9.14 m)
Pump Body	Brass
Gears	Bronze
Shaft	Stainless Steel
Seal	Fluoroelastomer lip seal
Motor	AC Permanent Magnet

Industrial Part Number Description

Industrial Part Number	Description
Mechanical Timer	
FPS210S35	110V@60Hz w/ fuel conditioner
FPS210S36	220V@50Hz w/ fuel conditioner
FPS210S37	Reverso 110V@60Hz Separ
FPS210S38	Reverso 220V@50Hz Separ
FPS-KIT-06	Replacement Memory Pack

Marine Part Number Description

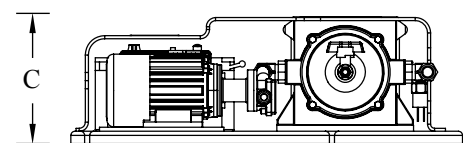
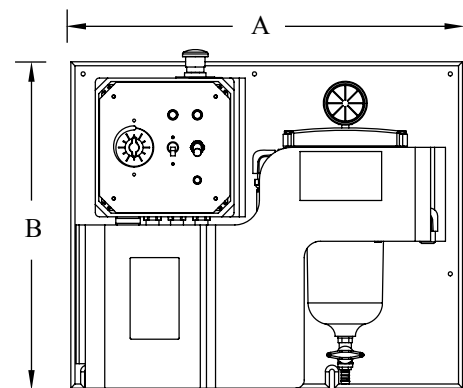
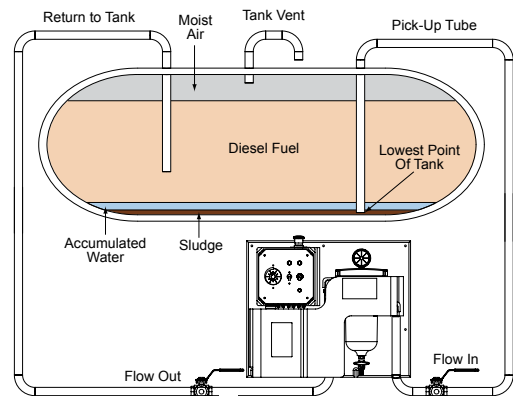
Marine Part Number	Description
Mechanical Timer	
FPS210S01	110V@60Hz w/ fuel conditioner w/ metal heat deflector
FPS210S02	220V@50Hz w/ fuel conditioner w/ metal heat deflector
FPS210S05	Reverso 110V@60Hz Separ w/ metal heat deflector
FPS210S06	Reverso 220V@50Hz Separ w/ metal heat deflector
FPS-KIT-06	Replacement Memory Pack

Filter Elements Description

Filter Elements	Description
01810	2000/18 10 Micron
01830	2000/18 30 Micron (standard)
01860S	2000/18 60 Micron, stainless steel

Model	A	B	C	Weight
FPS-210	23.25" (590.6mm)	22" (558.8mm)	7.75" (196.9mm)	60 lbs(27.2 kg)

Mechanical



Drawing dimensions for reference only. Technical drawings available upon request. Shown: FPS210S37