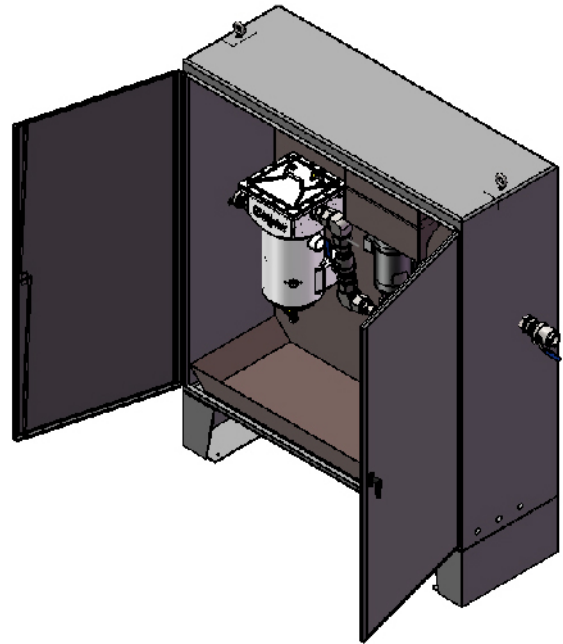


Commercial Automatic Fuel Polishing 2000 GPH

Automatic Fuel Polishing (AFP) removes water, bacterial growth and other particulate from diesel that are detrimental to fuel systems and thereby resolving many issues related to degraded fuel.

Basic Features

- Primary filtration - Separ Filter with vacuum gauge and 30 micron paper element installed
- Secondary filtration - 10 micron
- Digital control
- Water level alarm and shutoff
- Vacuum alarm and shutoff
- Spill alarm and shutoff
- Enclosure
- Isolation valves on suction and discharge sides



Technical Specifications

Flow Range	2,000 GPH / 7,571 LPH	
Inlet / Outlet	2" Female NPT	
Voltage Available	110 Volt, 60 Hz	
Primary Filtration	30 micron	
Secondary Filtration	10 micron	
Enclosure Dimensions	A	72" / 1,829 mm
	B	86" / 2,184 mm
	C	25.7" / 653 mm

Replacement Elements

01810*	10 micron
01830*	30 micron
01860S*	60 micron, stainless steel
*SWK-2000/130MK filter requires 4 elements	

