

FP-321 Series Fuel Primer Version 2



The FP-321 Series makes priming the fuel system of a diesel engine easier, faster, and safer than manually priming during routine filter changes. It pumps fuel into the lines to purge trapped air in the main feed line, primary filters, secondary filters, and engine. The bypass protects the system from pressurizing beyond the preset.

Basic Features

- Marine (white) or commercial (gray) version
- 15 psi or 22 psi bypass preset
- Left-to-right flow or right-to-left flow
- 12V or 24V
- Momentary button with LED power indicator



Marine version shown with basic features.

Optional Features

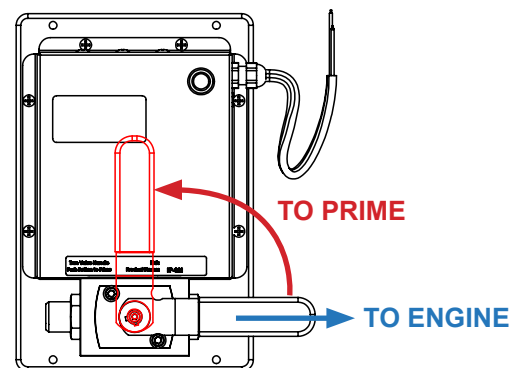
- Special order 35 or 45 psi bypass presets

Technical Specifications

Flow Rate	4 GPM / 15 LPM	
Inlet / Outlet	3/4" Male JIC	
Voltage	12V or 24V	
Self-priming	5 ft / 1.5m (wet gears)	
Fuse (installer supplied)	15A	
Max. Amp. Draw	8A / 12V, 4A / 24V	
Preset Pressure	15 or 22 psi / 1 or 1.5 bar	
Ambient Temperature	min. 14°F / -10°C max. 104°F / 40°C	
Seal	Viton	
Gears	PTFE	
Shaft	Stainless Steel	
Body	Nickel-plated brass	
Rated	IP67	
Dimensions	A	7.5" / 191 mm
	B	11.5" / 292 mm
	C	6.7" / 170 mm
	12 lbs / 5.4 kg	

To Prime:

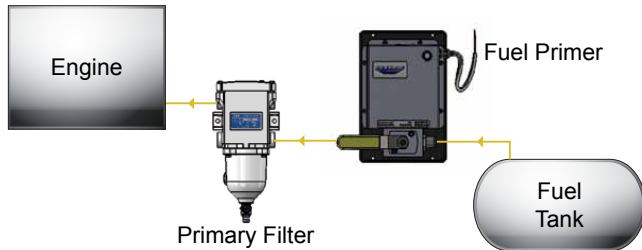
- 1 Rotate valve handle to priming position.
- 2 Hold down button to run the pump. Once fuel appears at the filter, the lines are primed.
- 3 Release button and return valve handle to run position before restarting engine.



Left-to-Right Version.

Install For Engines

Install between the tank and the primary filter. Since one is recommended for each engine, two flow directions are offered for twin engine applications (left-to-right and right-to-left).

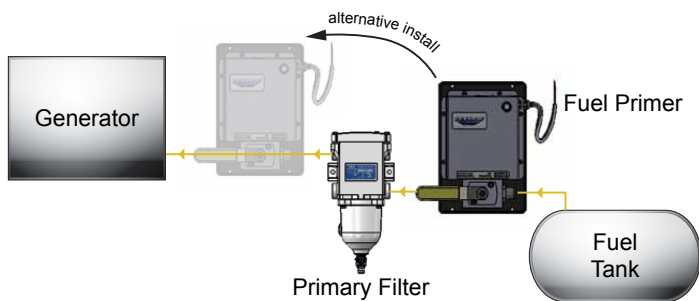


Marine Versions

Part #	Description	Voltage	Pressure
25-2966-01-03	FP-321-L-12-15 Left-to-right	12V	15psi
25-2966-01-04	FP-321-L-12-22 Left-to-right	12V	22psi
25-2966-01-09	FP-321-R-12-15 Right-to-left	12V	15psi
25-2966-01-10	FP-321-R-12-22 Right-to-left	12V	22psi
25-2966-02-03	FP-321-L-24-15 Left-to-right	24V	15psi
25-2966-02-04	FP-321-L-24-22 Left-to-right	24V	22psi
25-2966-02-09	FP-321-R-24-15 Right-to-left	24V	15psi
25-2966-02-10	FP-321-R-24-22 Right-to-left	24V	22psi

Install For Generators

It is recommended to install the fuel primer before the primary filter, but can be located anywhere in the fuel system. The handle points with the direction of flow. Do not mount with the pump head above the motor.



Commercial Versions

Part #	Description	Voltage	Pressure
25-2965-01-03	FP-321-L-12-15 Left-to-right	12V	15psi
25-2965-01-04	FP-321-L-12-22 Left-to-right	12V	22psi
25-2965-01-09	FP-321-R-12-15 Right-to-left	12V	15psi
25-2965-01-10	FP-321-R-12-22 Right-to-left	12V	22psi
25-2965-02-03	FP-321-L-24-15 Left-to-right	24V	15psi
25-2965-02-04	FP-321-L-24-22 Left-to-right	24V	22psi
25-2965-02-09	FP-321-R-24-15 Right-to-left	24V	15psi
25-2965-02-10	FP-321-R-24-22 Right-to-left	24V	22psi